



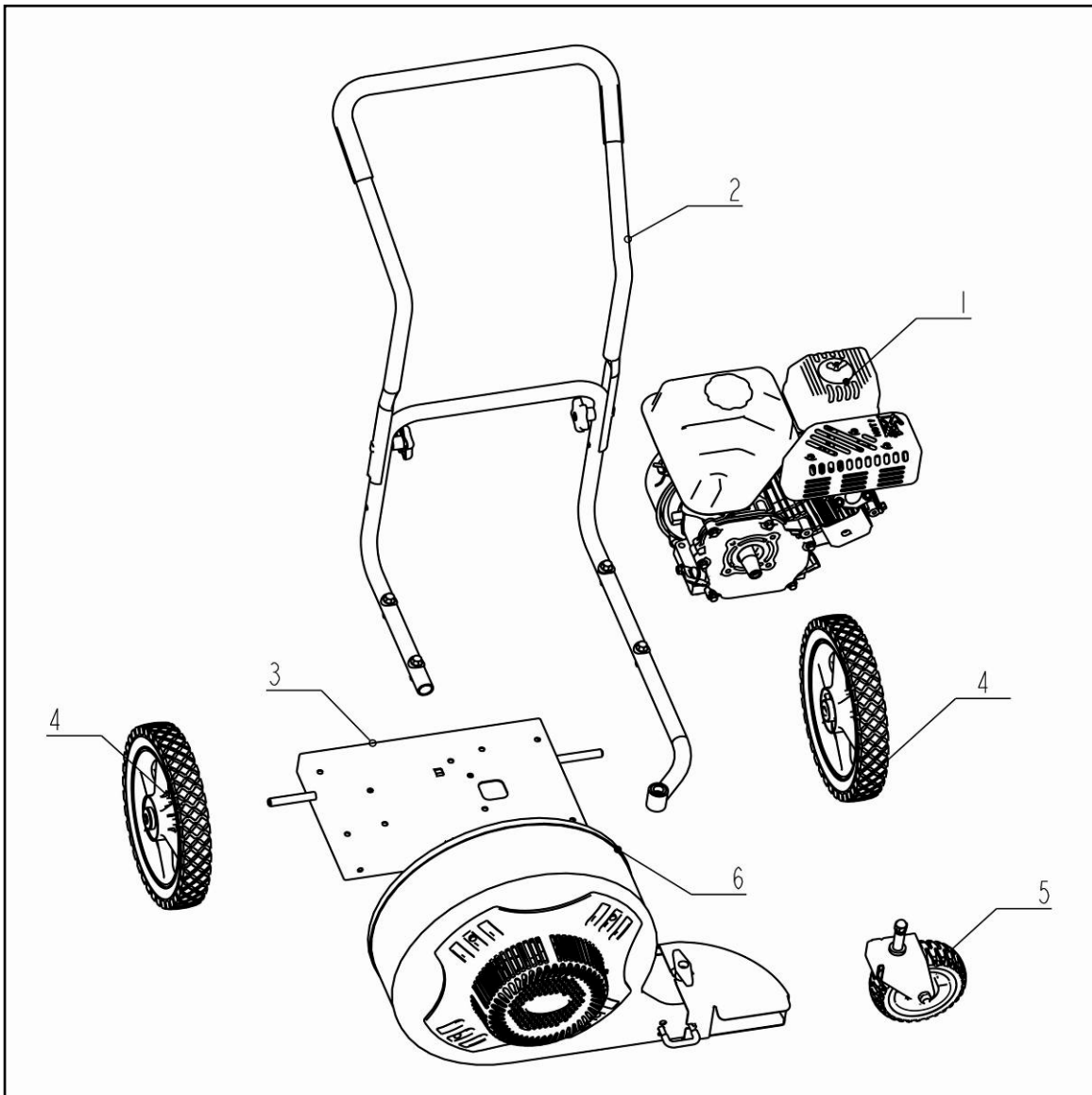
ILLUSTRATED PARTS BOOK
CYCLONE Walk Behind Blower
S-WB-163150-[E]



Table of Contents

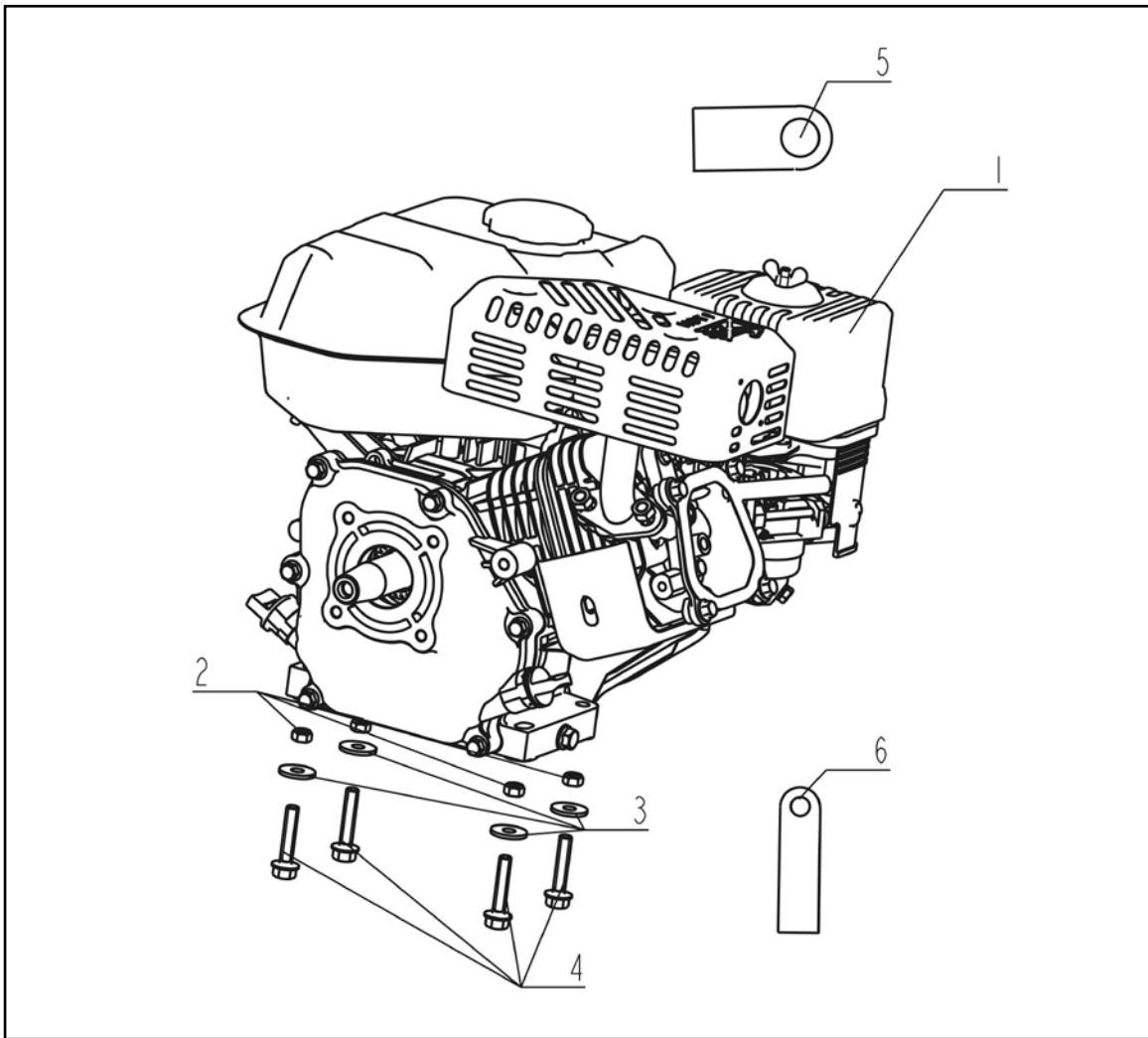
Top Level Assembly.....	3
Engine - Top Level Assembly	4
Rear Wheel Assembly	5
Front Wheel Assembly.....	6
Base Assembly.....	7
Handle / Tubing Assembly.....	8
Fan and Housing Assembly.....	9
Engine - Sub Level Assembly	12
Piston / Connecting Rod Assembly	14
Crankcase Cover Assembly	15
Crankshaft Assembly	16
Air Filter Assembly.....	17
Carburetor Assembly	18
Crankcase Assembly.....	19
Fly Wheel Assembly	20
Fuel Tank Assembly.....	21
Muffler Assembly.....	22
Engine Side Assembly.....	24
Cylinder Head Assembly.....	26
Centrifugal Governor Assembly.....	28
Valve Timing Assembly.....	30

Top Level Assembly



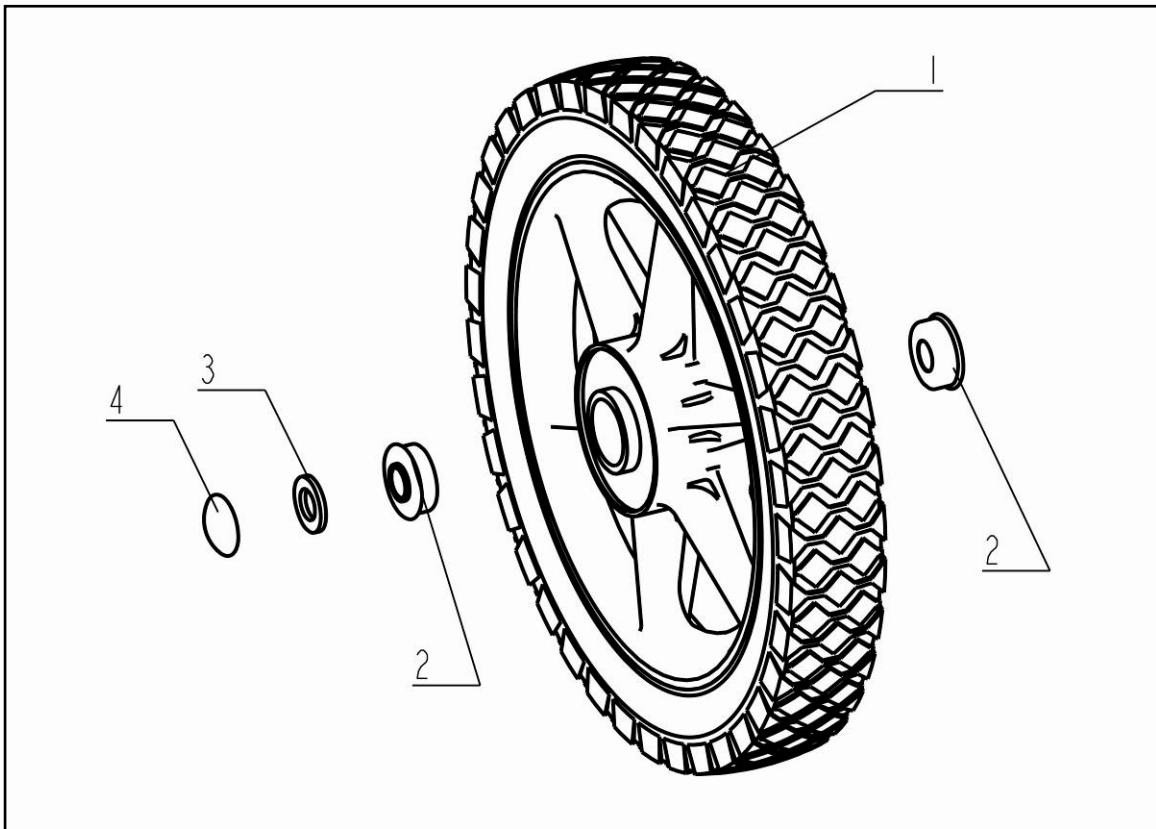
REF. NO.	DESCRIPTION	PART NO.	QTY
1	Engine Top-Level Assembly	See Page 4	1
2	Handle/Tubing Assembly	See Page 8	1
3	Base Assembly	A202080 - See Page 7	1
4	Rear Wheel Assembly	A200135 - See Page 5	2
5	Front Wheel Assembly	A202081 - See Page 6	1
6	Fan and Housing Assembly	See Page 10	1

Engine - Top Level Assembly



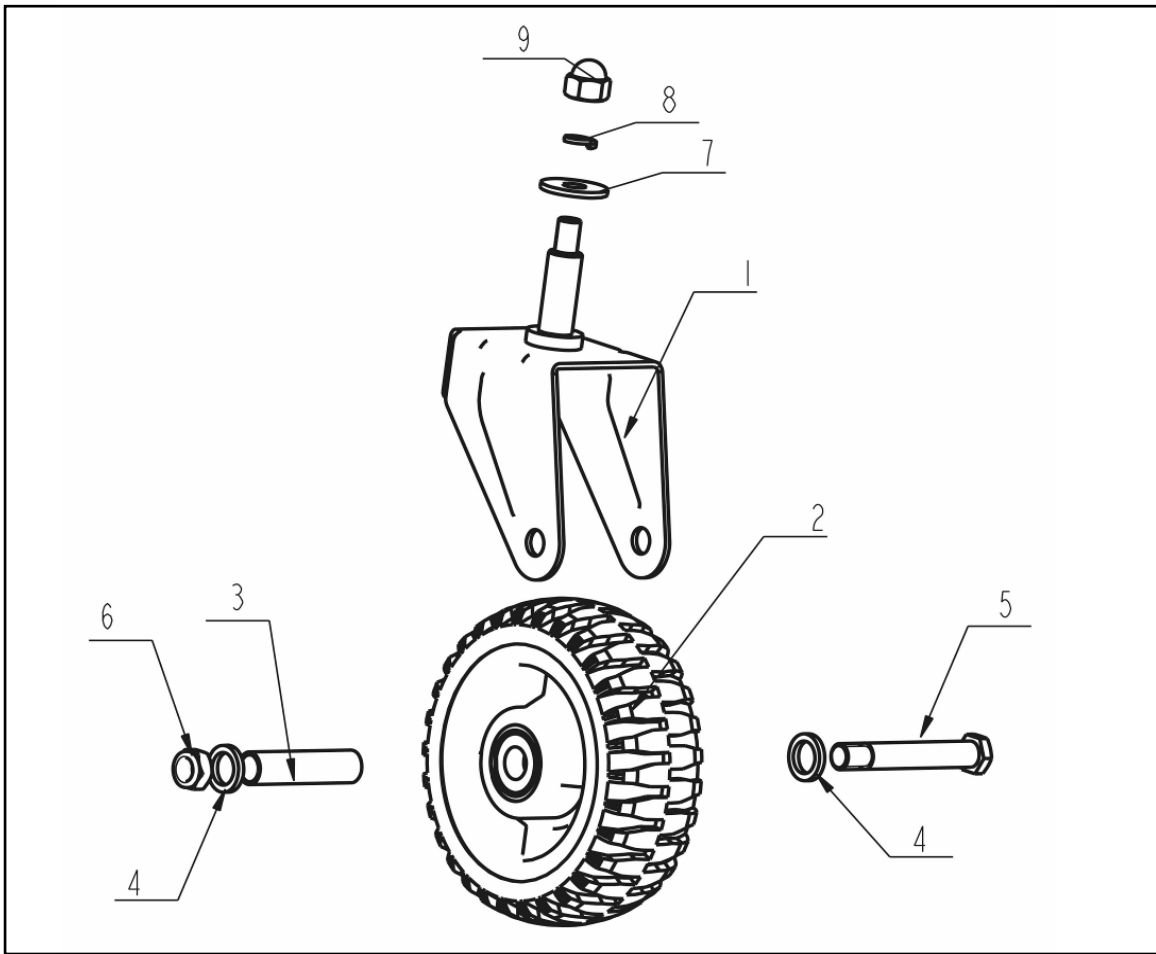
REF. NO.	DESCRIPTION	PART NO.	QTY
1	Engine	A200137 - See Page 12	1
2	Nut M8	A200138	4
3	Flat Washer 8	A200139	4
4	Bolt M8x40	A200140	4
5	Oil Hang Tag - Fuel Tank	A101015	1
6	Oil Hang Tag - Oil Dipstick	A100979	1

Rear Wheel Assembly



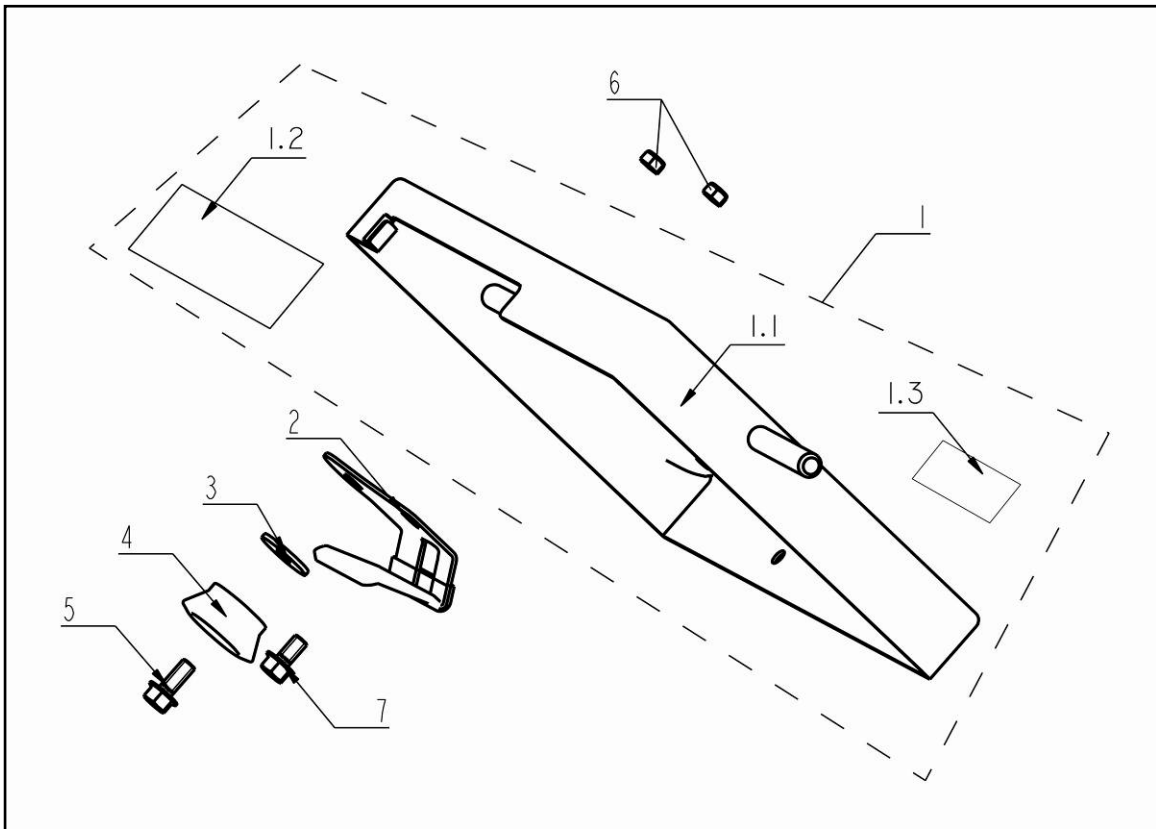
REF. NO.	DESCRIPTION	PART NO.	QTY
1	Rear Wheel	A200158	1
2	Bearing	A200159	2
3	Flat Washer	A200160	1
4	Clip, Capped	A200161	1

Front Wheel Assembly



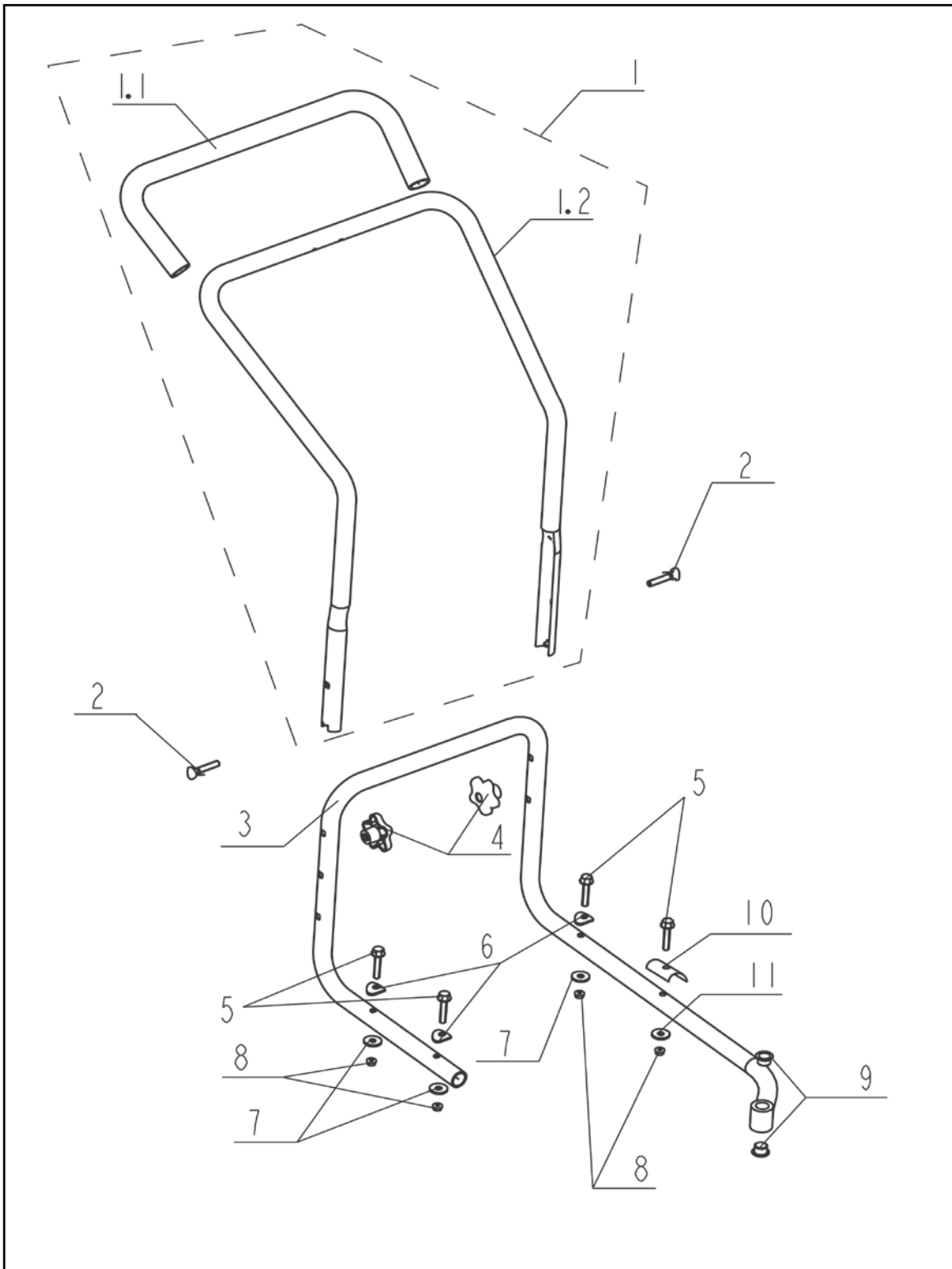
REF. NO.	DESCRIPTION	PART NO.	QTY
1	Bracket, Front Wheel	A202082	1
2	Front Wheel w/ Bearings	A200163	1
3	Sleeve	A200165	1
4	Washer, Plastic	A200166	2
5	Bolt M12x80	A200167	1
6	Nut M12	A200168	1
7	Flat Washer 10	A200169	1
8	Spring Washer	A200170	1
9	Acorn Nut M10	A200171	1

Base Assembly



REF. NO.	DESCRIPTION	PART NO.	QTY
1	Base Sub Assembly	A202083	1
1.1	Base	For Reference Only	1
1.2	Label, Attachment Storage Location	A200152	1
1.3	Label, Oil Fill	A101019	1
2	Bracket, Attachment Storage	A202084	1
3	Flat Washer 8	A200139	1
4	Bumper, Rubber	A200155	1
5	Bolt M8x20	A200156	1
6	Nut M8	A200138	2
7	Bolt M8x16	A200157	1

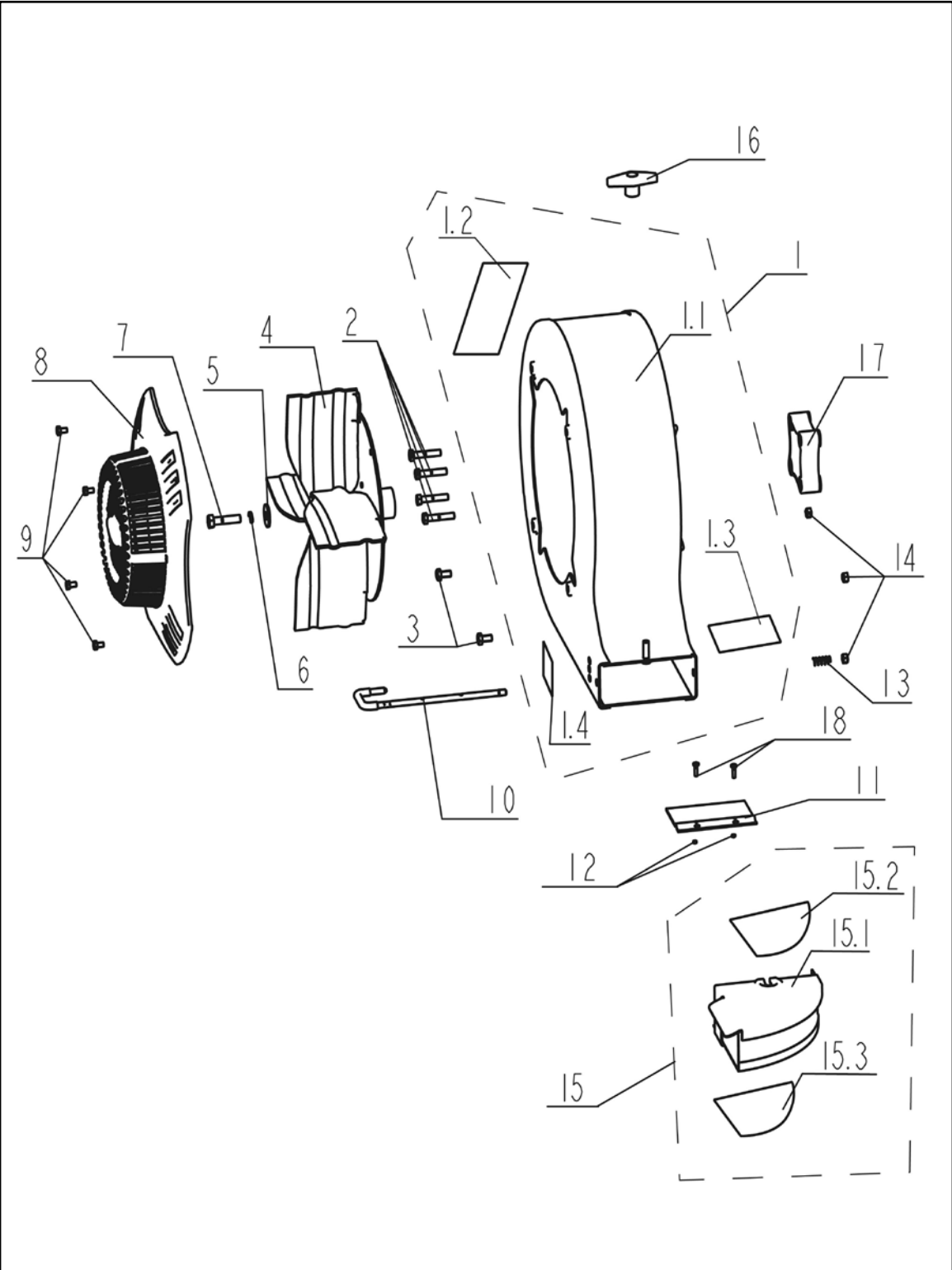
Handle / Tubing Assembly



Handle / Tubing Assembly

REF. NO.	DESCRIPTION	PART NO.	QTY
1	Handle Assembly	A200164	1
1.1	Foam, Handle Tubing	A200141	1
1.2	Handle	A200142	1
2	Bolt M8x45	A200143	2
3	Tubing, Frame	A200144	1
4	Wingnut, Plastic	A200145	2
5	Bolt M8x40	A200140	4
6	Bend Washer 8	A200147	3
7	Flat Washer 8	A200139	3
8	Nut M8	A200138	4
9	Bushing, POM	A200148	2
10	Bracket, Tubing Support	A200149	1
11	Flat Washer	A200150	1

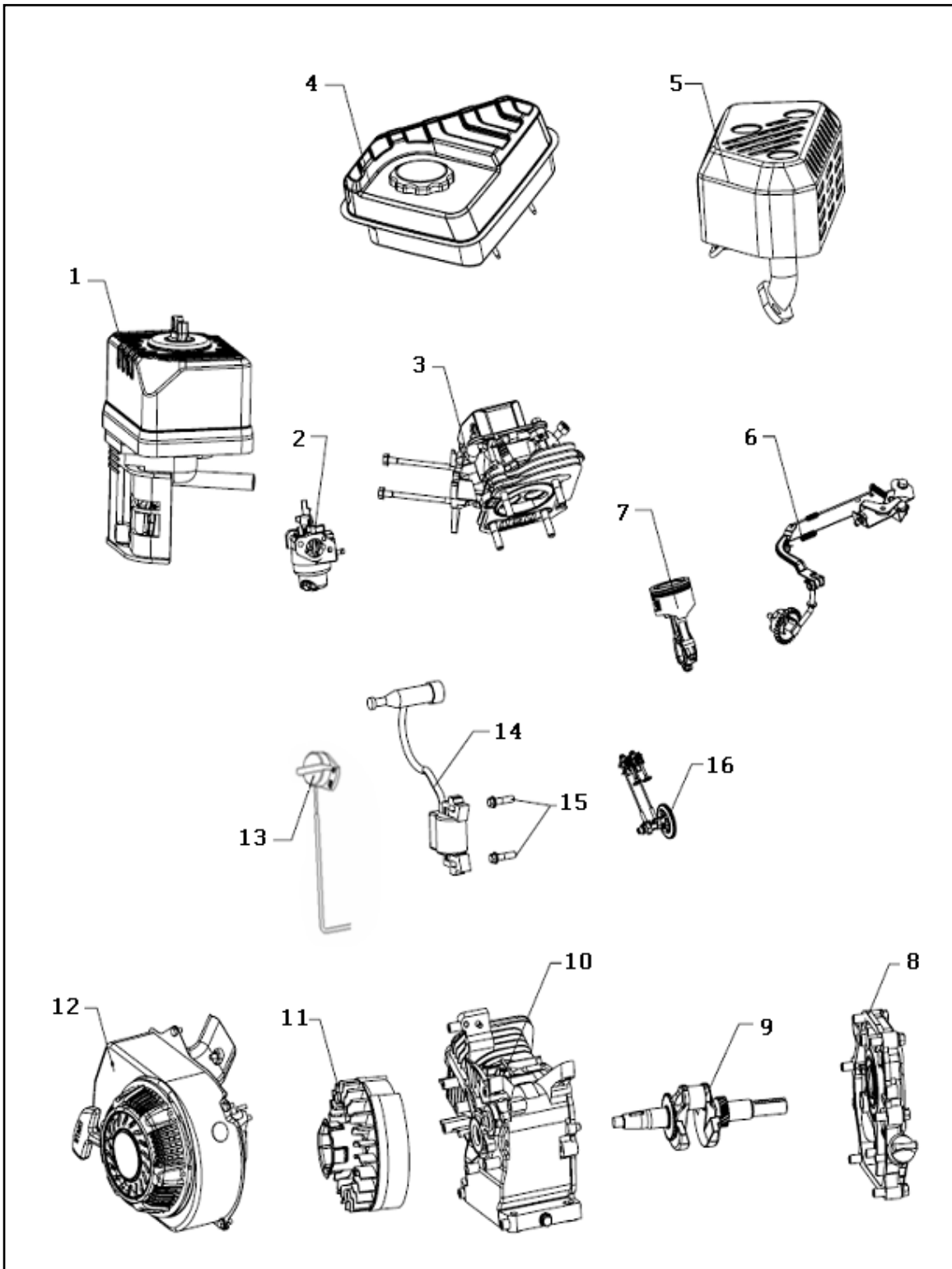
Fan and Housing Assembly



Fan and Housing Assembly

REF. NO.	DESCRIPTION	PART NO.	QTY
1	Housing Assembly	A202085	1
1.1	Housing	For Reference Only	1
1.2	Label, Main Warning	A200173	1
1.3	Label, Symbol Warning	A200174	1
1.4	Label, Flow Angle	A200175	1
2	Bolt M8x40	A200140	4
3	Bolt M8x16	A200157	2
4	Fan	A202087	1
5	Flat Washer 10	A200169	1
6	Spring Washer	A200170	1
7	Bolt M10x40	A200180	1
8	Shroud, Intake	A200181	1
9	Bolt M6x12	A200182	4
10	Index Lever	A200183	1
11	Louver	A202088	1
12	Nut M4	A200185	2
13	Spring	A200186	1
14	Nut M8	A200138	3
15	Front Flow Attachment Assembly	A202089	1
15.1	Front Flow Attachment	For Reference Only	1
15.2	Label, Attachment Use	A200188	1
15.3	Label, Attachment Storage	A200189	1
16	Knob, Attachment	A200190	1
17	Guard, Crankshaft	A200191	1
18	Screw M4x16	A200192	2

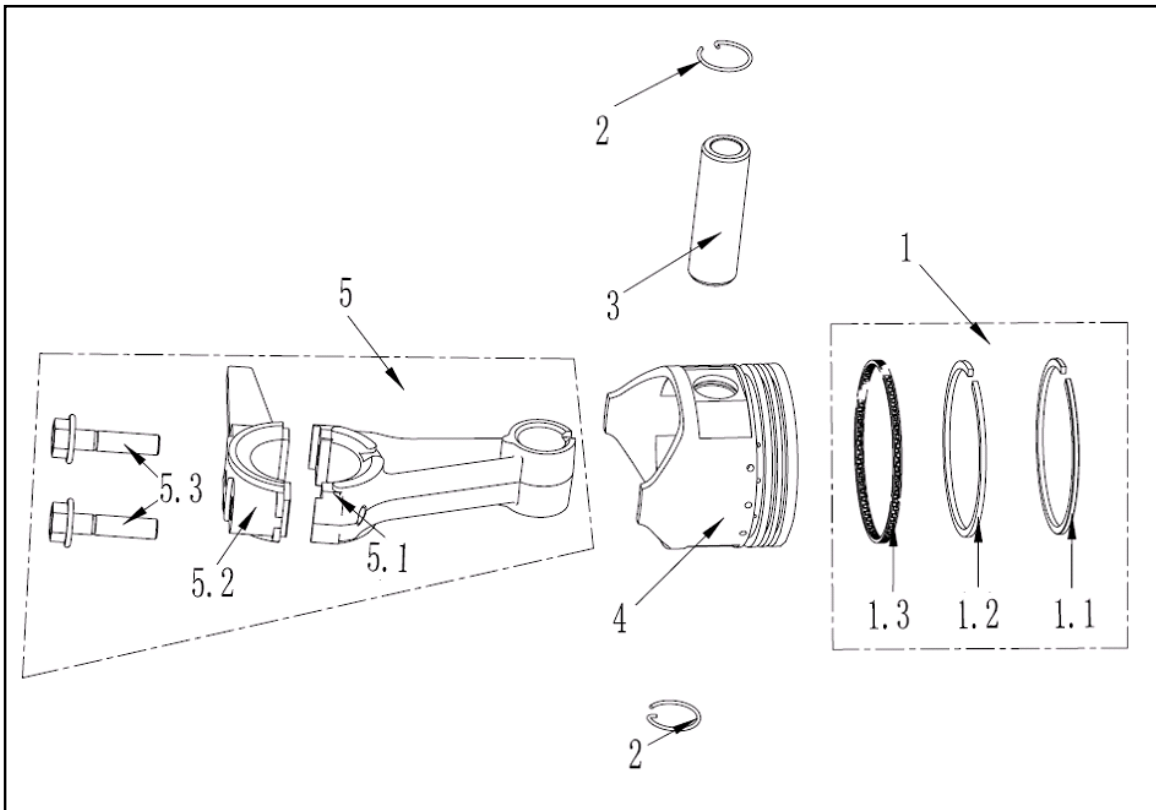
Engine - Sub Level Assembly



Engine – Sub Level Assembly

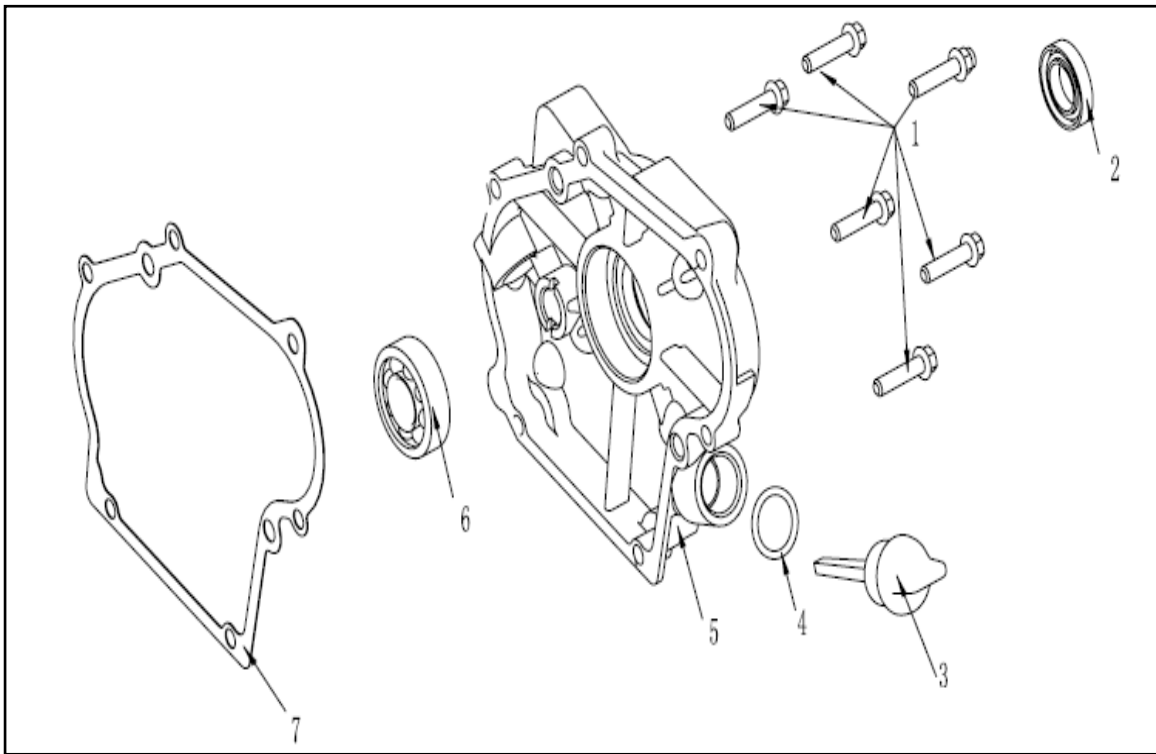
REF. NO.	DESCRIPTION	PART NO.	QTY
1	Air Filter Assembly	See Page 17	1
2	Carburetor Assembly	See Page 18	1
3	Cylinder Head Assembly	See Page 26	1
4	Fuel Tank Assembly	See Page 21	1
5	Muffler Assembly	See Page 22	1
6	Centrifugal Governor Assembly	See Page 28	1
7	Piston & Connecting Rod Assembly	See Page 14	1
8	Crankcase Cover Assembly	See Page 15	1
9	Crankshaft Assembly	See Page 16	1
10	Crankcase Assembly	See Page 19	1
11	Fly Wheel Assembly	See Page 20	1
12	Engine Side Assembly	See Page 24	1
13	Switch, On-Off	A200195	1
14	Ignition Coil	A200194	1
15	Bolt	A101156	2
16	Valve Timing Assembly	See Page 30	1

Piston / Connecting Rod Assembly



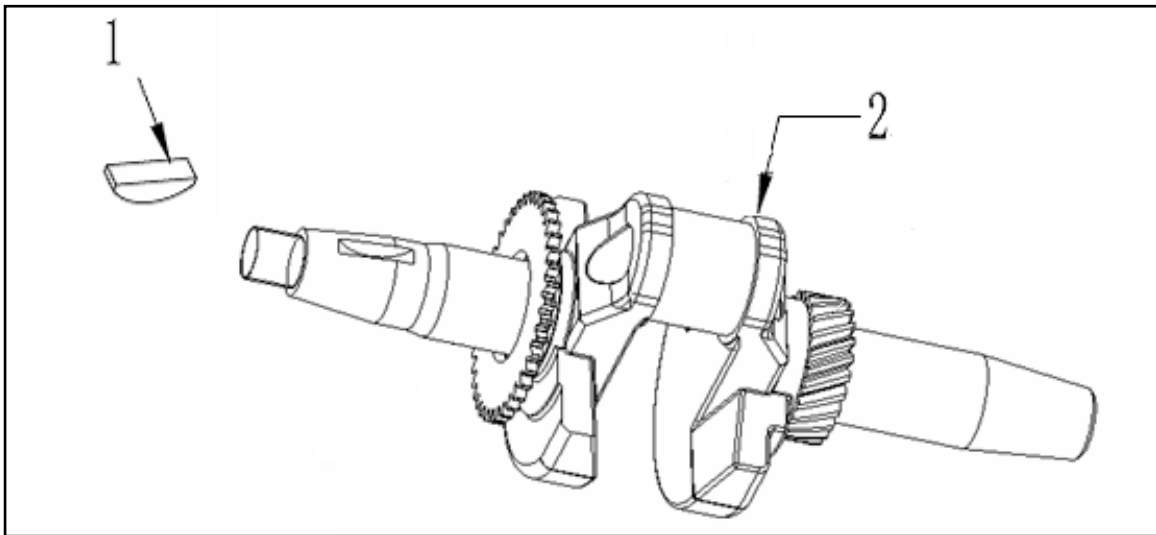
REF. NO.	DESCRIPTION	PART NO.	QTY
1	Piston Ring Assembly	A101157	1
1.1	Ring, First	For Reference Only	1
1.2	Ring, Second	For Reference Only	1
1.3	Oil Ring	For Reference Only	1
2	Circlip, Piston Pin	A101158	2
3	Pin, Piston	A101159	1
4	Piston	A101160	1
5	Connecting Rod Assembly	A101161	1
5.1	Connecting Rod Body	For Reference Only	1
5.2	Connecting Rod Cover	For Reference Only	1
5.3	Connecting Rod Bolt	For Reference Only	2

Crankcase Cover Assembly



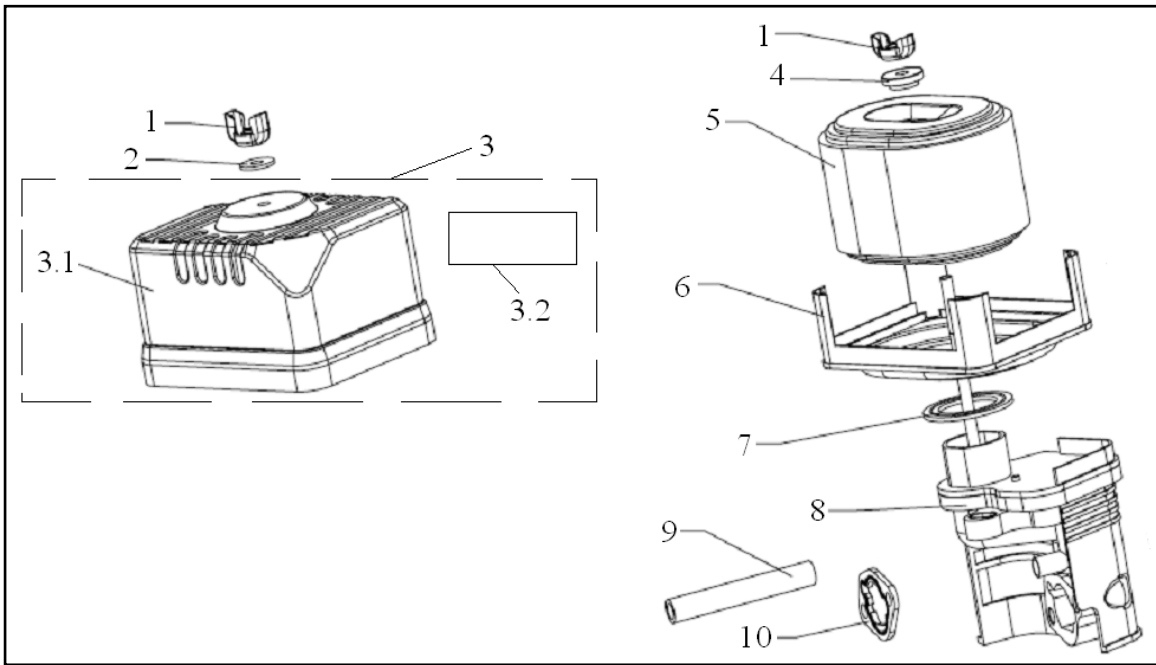
REF. NO.	DESCRIPTION	PART NO.	QTY
1	Bolt	A101162	6
2	Oil Seal	A100675	1
3	Dipstick	A101163	1
4	Oil Seal, Dipstick	A101164	1
5	Cover, Crankcase	A101165	1
6	Bearing	A101137	1
7	Gasket, Crankcase	A101166	1

Crankshaft Assembly



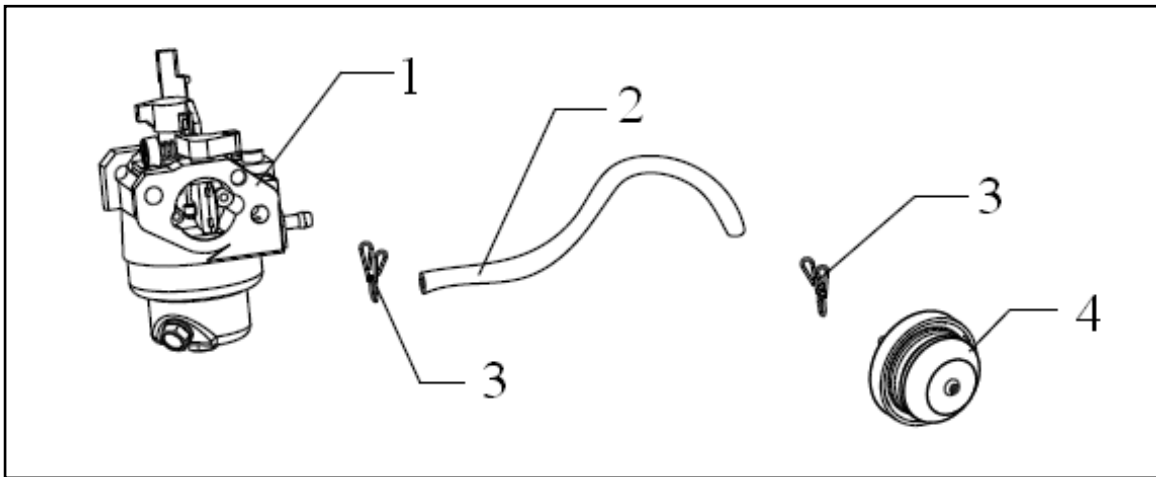
REF. NO.	DESCRIPTION	PART NO.	QTY
1	Semicircular Key	A100688	1
2	Crankshaft	A200193	1

Air Filter Assembly



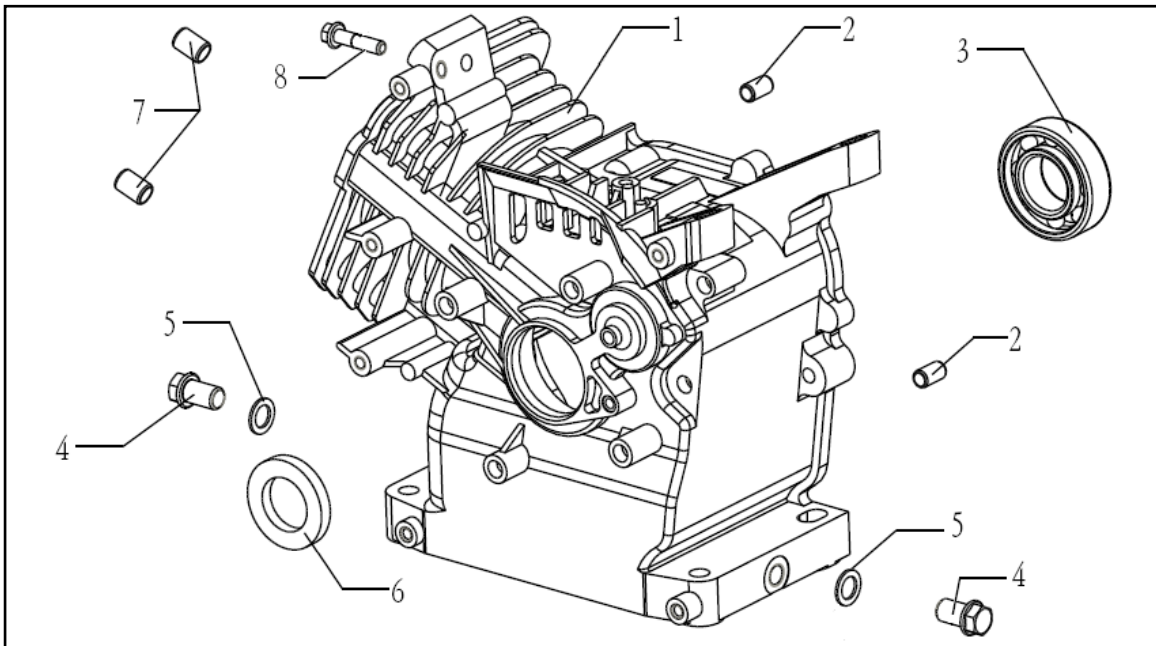
REF. NO.	DESCRIPTION	PART NO.	QTY
1	Wingnut	A101168	2
2	Washer	A101169	1
3	Air Filter Cover Assembly	A101170	1
3.1	Air Filter Cover	For Reference Only	1
3.2	Label, Air Cleaner Maintenance	A101097	1
4	Seal Spacer	A101171	1
5	Air Cleaner Element	A101172	1
6	Air Cleaner Housing	A101173	1
7	Seal Spacer	A101174	1
8	Air Cleaner Body	A101176	1
9	Breather Tube	A101177	1
10	Spacer	A101178	1

Carburetor Assembly



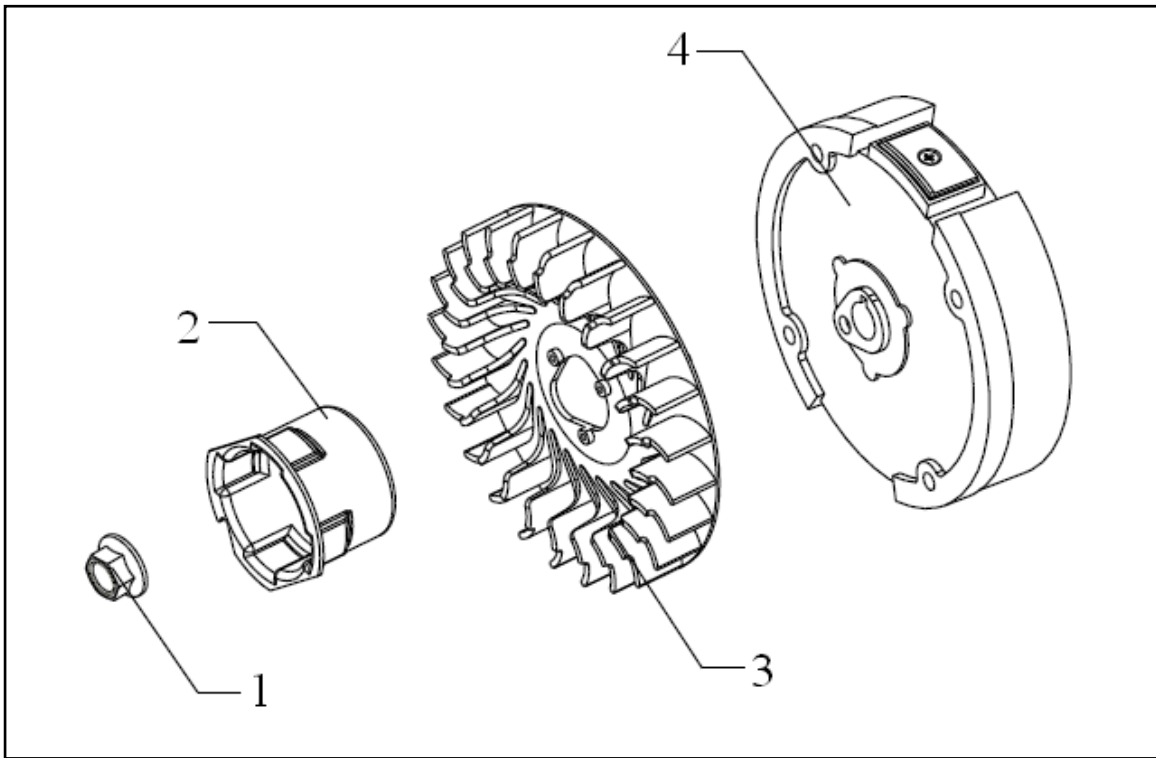
REF. NO.	DESCRIPTION	PART NO.	QTY
1	Carburetor	A200196	1
2	Fuel Line	A101180	1
3	Clamp, Fuel Line, \varnothing 6.5	A100677	2
4	Primer Bulb	A101096	1

Crankcase Assembly



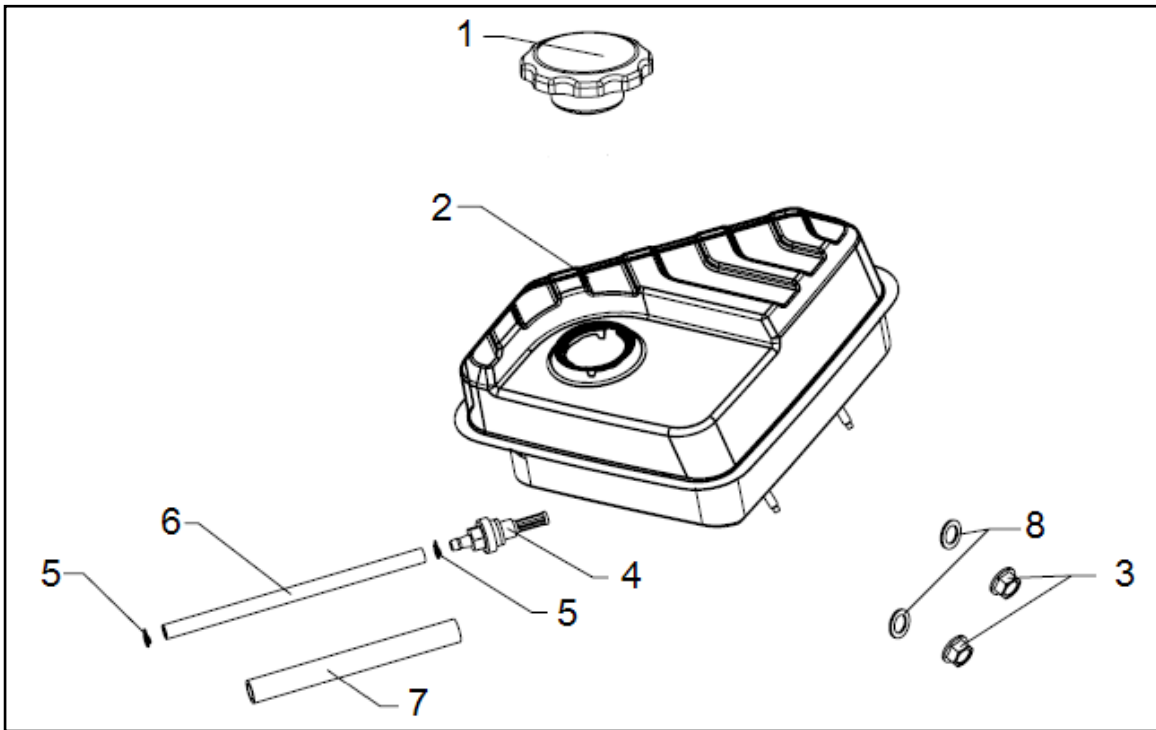
REF. NO.	DESCRIPTION	PART NO.	QTY
1	Crankcase Body	A101181	1
2	Guide Dowel	A101182	2
3	Bearing	A101137	1
4	Drain Plug	A101183	2
5	Washer, Drain Plug	A100721	2
6	Oil Seal	A100675	1
7	Guide Dowel	A101184	2
8	Bolt	A101185	1

Fly Wheel Assembly



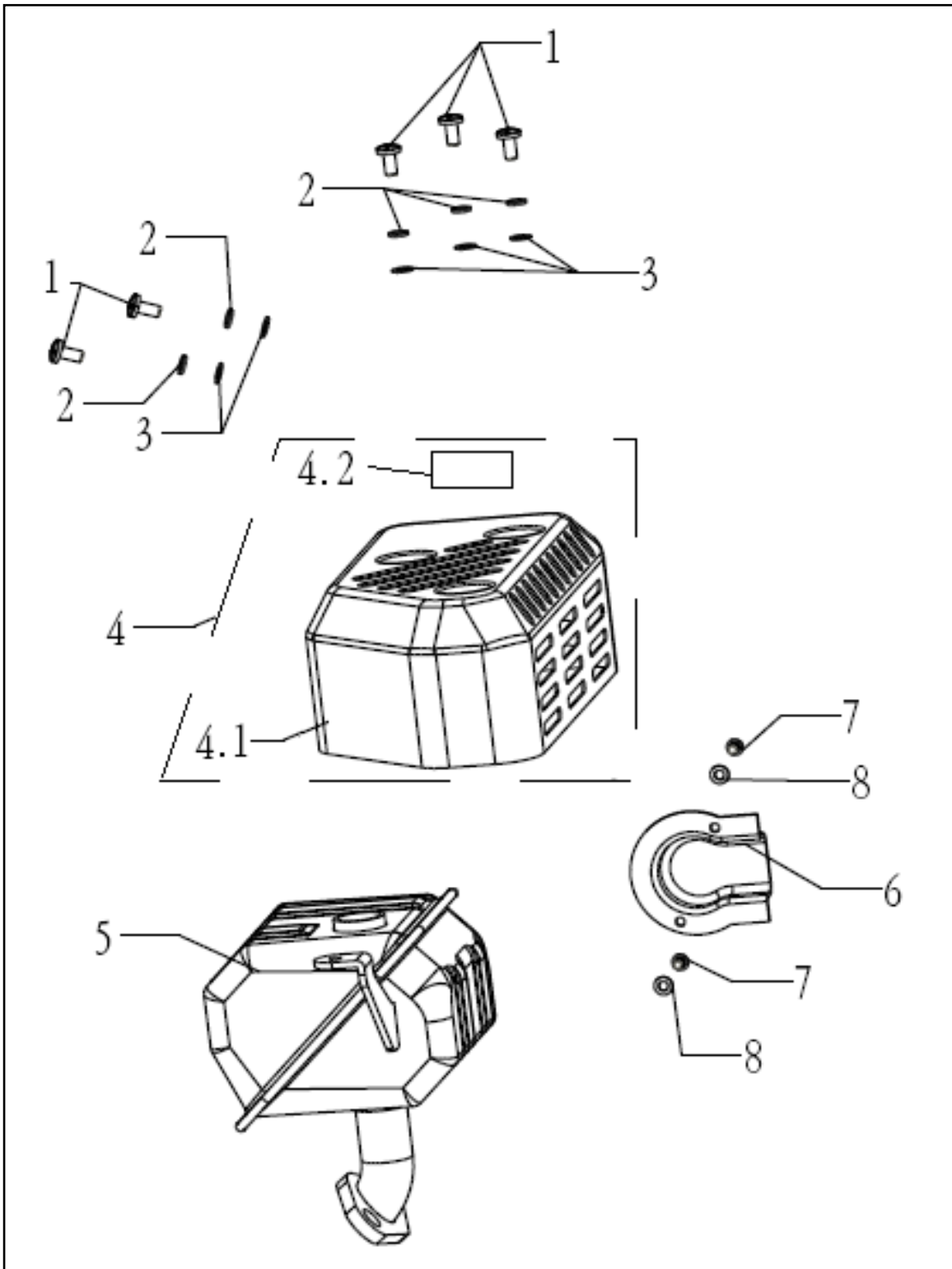
REF. NO.	DESCRIPTION	PART NO.	QTY
1	Nut, Clamp	A101186	1
2	Start-Up Ratchet Gear	A200093	1
3	Fan Wheel	A101187	1
4	Flying Wheel	A101188	1

Fuel Tank Assembly



REF. NO.	DESCRIPTION	PART NO.	QTY
1	Fuel Tank Cap	A100622	1
2	Fuel Tank	A101190	1
3	Nut	A101139	2
4	Fuel Line Fitting / Filter	A101191	1
5	Clamp, Fuel Line	A101192	2
6	Fuel Line	A101193	1
7	Sleeve, Protecting	A101194	1
8	Washer, Shock Absorbing	A101195	2

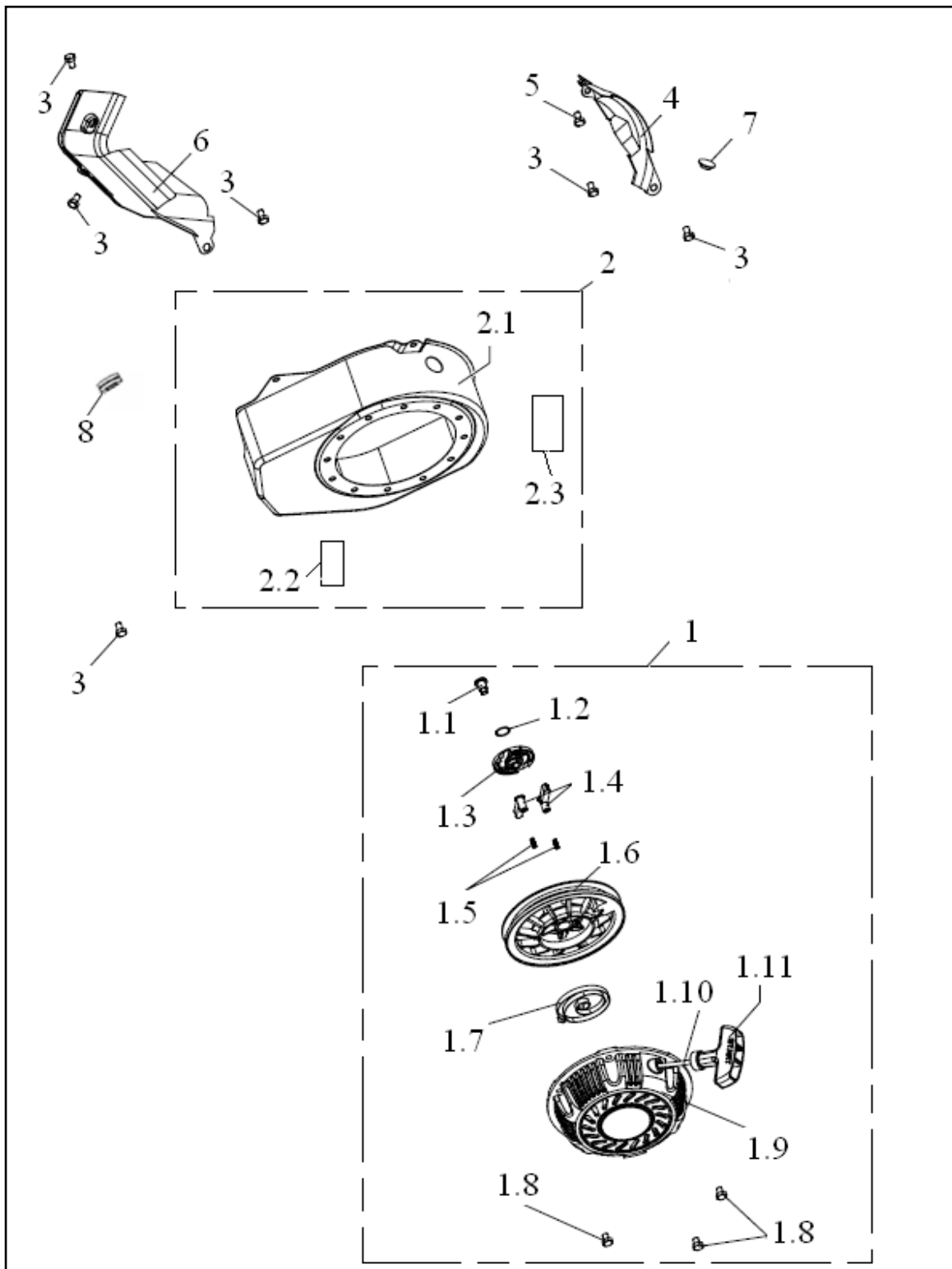
Muffler Assembly



Muffler Assembly

REF. NO.	DESCRIPTION	PART NO.	QTY
1	Bolt	A101196	5
2	Spring Washer	A101197	5
3	Washer	A101198	5
4	Muffler Cover Assembly	A101199	1
4.1	Muffler Cover	For Reference Only	1
4.2	Label, Hot Surface	A100978	1
5	Muffler	A101200	1
6	Redirector, Exhaust	A101201	1
7	Bolt	A101202	2
8	Washer	A101203	2

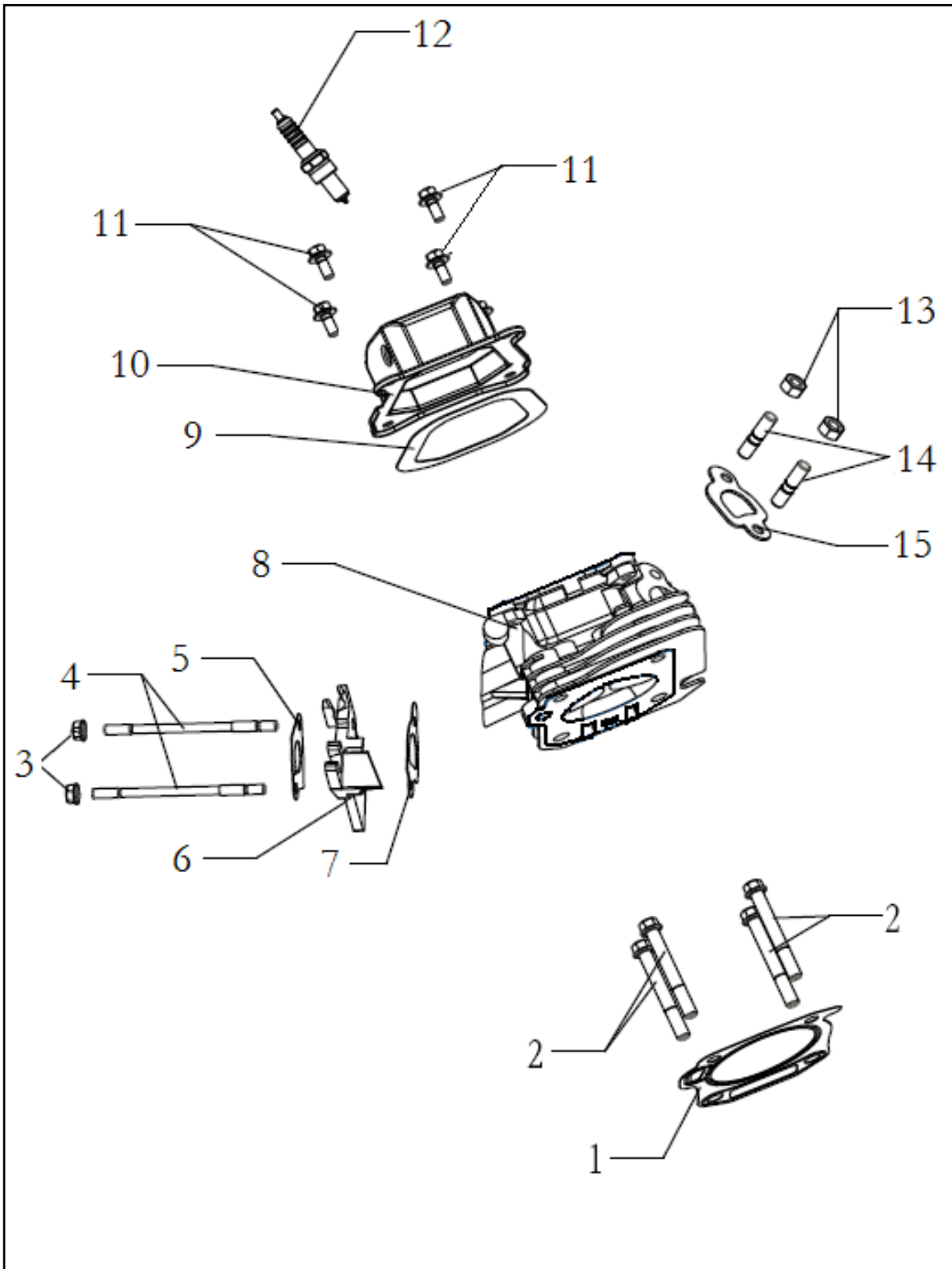
Engine Side Assembly



Engine Side Assembly

REF. NO.	DESCRIPTION	PART NO.	QTY
1	Starter Assembly	A101204	1
1.1	Screw	A100689	1
1.2	Circlip	A101205	1
1.3	Guide Pan	A100690	1
1.4	Ratchet	A100691	2
1.5	Compression Spring	A100692	2
1.6	Spool	A101206	1
1.7	Wind Spring	A101207	1
1.8	Bolt	A101208	3
1.9	Starter Cover	A101209	1
1.10	Starter Rope	A200197	1
1.11	Handle, Recoil Starter	A100980	1
2	Engine Side Cover Assembly	A101211	1
2.1	Engine Side Cover	For Reference Only	1
2.2	Label, Primer	A101212	1
2.3	Label, EPA	A101213	1
3	Bolt	A101214	6
4	Shield 1	A200198	1
5	Bolt	A101138	1
6	Shield 2	A101216	1
7	Plug	A101217	1
8	Bushing, Rubber	A200199	1

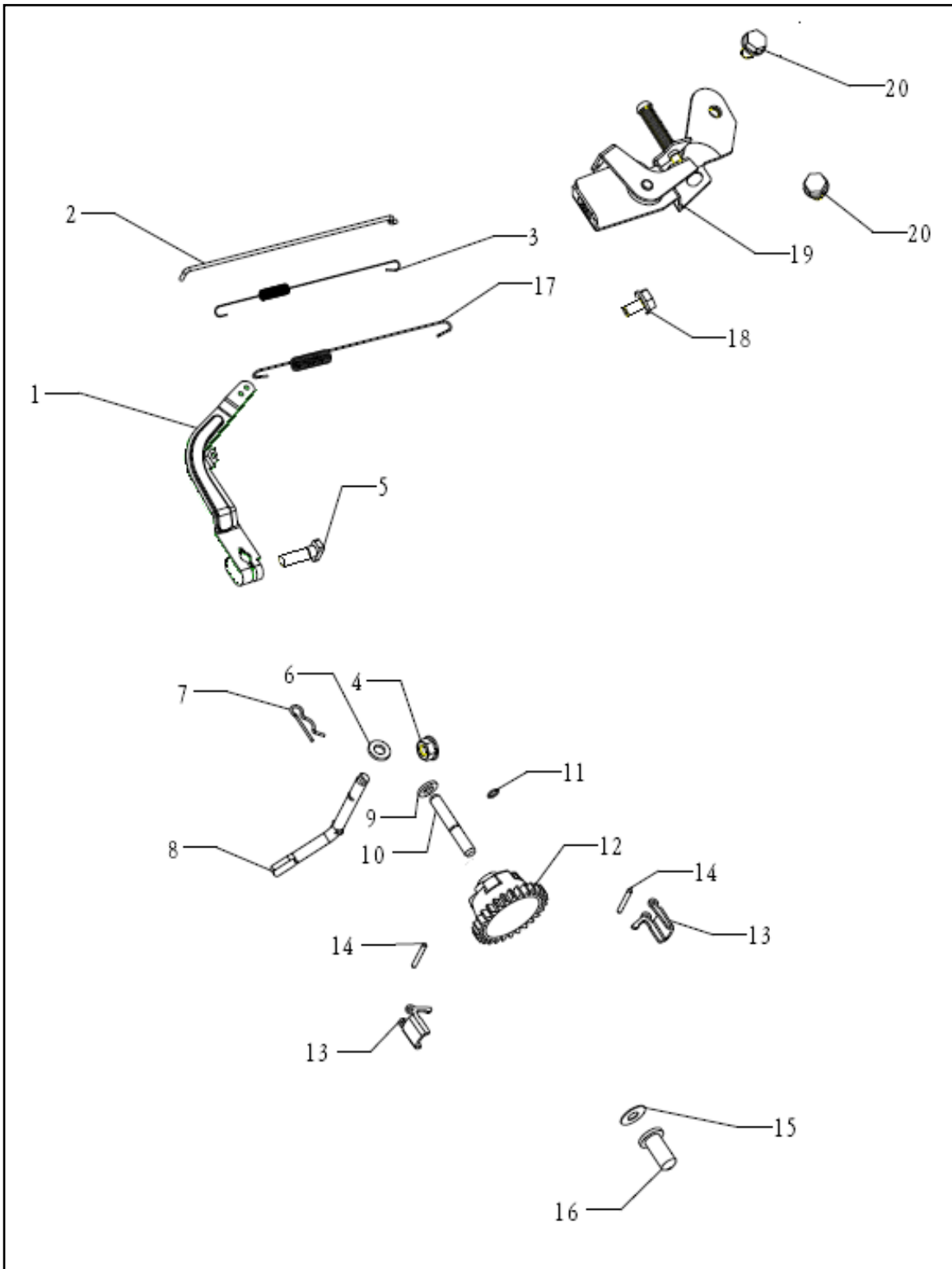
Cylinder Head Assembly



Cylinder Head Assembly

REF. NO.	DESCRIPTION	PART NO.	QTY
1	Gasket, Cylinder Head	A101218	1
2	Bolt, Cylinder Head	A101219	4
3	Nut	A101139	2
4	Double End Stud	A101225	2
5	Gasket, Intake 1	A101226	1
6	Spacer, Heat Insulating	A101227	1
7	Gasket, Intake 2	A101228	1
8	Cylinder Head	A101229	1
9	Gasket, Cylinder Head Cover	A101230	1
10	Cylinder Head Cover	A101231	1
11	Bolt	A101138	4
12	Spark Plug	A101232	1
13	Nut	A101233	2
14	Double End Stud	A100735	2
15	Gasket, Exhaust	A101234	1

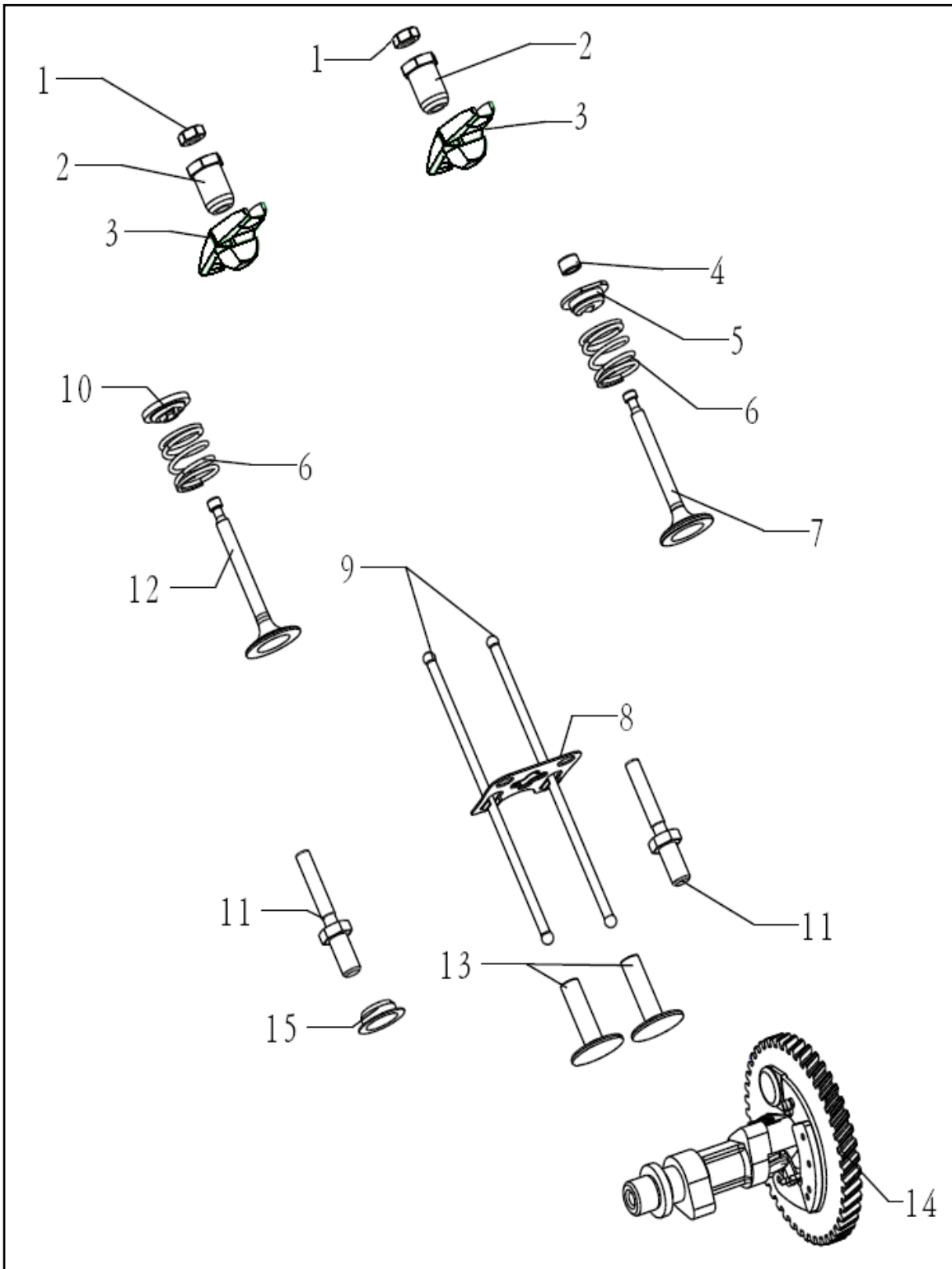
Centrifugal Governor Assembly



Centrifugal Governor Assembly

REF. NO.	DESCRIPTION	PART NO.	QTY
1	Arm	A101235	1
2	Rod, Tension	A101236	1
3	Spring 2, Tension	A101237	1
4	Nut	A101139	1
5	Bolt, Square	A101238	1
6	Spacer 2	A101239	1
7	Hair Pin	A100636	1
8	Governor Crank	A101240	1
9	Spacer 1	A101241	1
10	Pin	A100728	1
11	Snap Spring	A100729	1
12	Body, Centrifugal Governor	A101242	1
13	Pawl	A101243	2
14	Pin	A101244	2
15	Spacer 3	A100771	1
16	Cover, Push Rod	A101245	1
17	Spring 1, Tension	A101246	1
18	Bolt	A101247	1
19	RPM Adjustment Mechanism	A101248	1
20	Bolt	A101249	2

Valve Timing Assembly



Valve Timing Assembly

REF. NO.	DESCRIPTION	PART NO.	QTY
1	Nut, Valve Clearance Adjustment	A101250	2
2	Spacer, Arm	A101251	2
3	Arm	A101252	2
4	Cap, Exhaust Rod	A101253	1
5	Upper Retainer, Exhaust Valve Spring	A101254	1
6	Spring, Valve	A101255	2
7	Valve, Exhaust	A101256	1
8	Guide Plate, Connecting Stud	A101257	1
9	Rod, Connecting	A101142	2
10	Upper Retainer, Intake Valve Spring	A101143	1
11	Adjusting Stud, Valve Clearance	A101220	2
12	Valve, Intake	A101221	1
13	Stud, Connecting	A101222	2
14	Camshaft	A101223	1
15	Oil Seal, Valve	A101224	1

MAT Engine Technologies, LLC
 Long Grove, IL 60047

